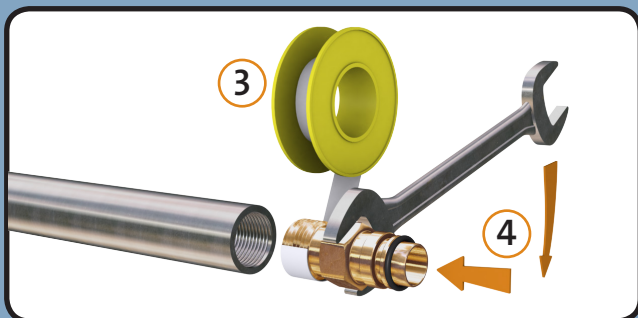
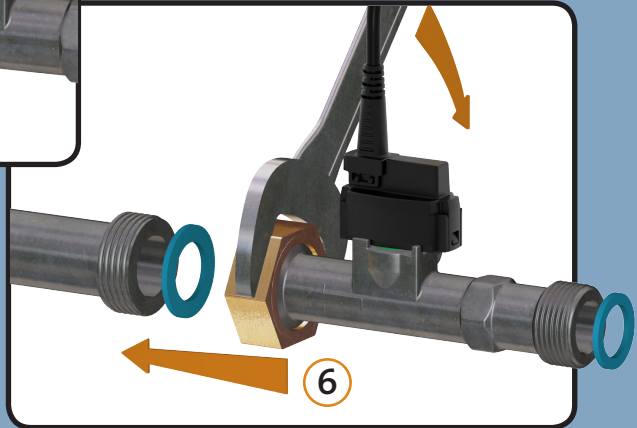
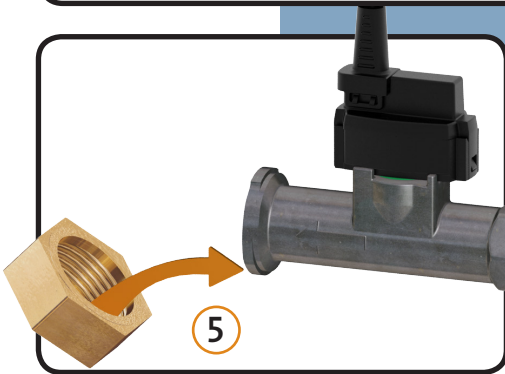
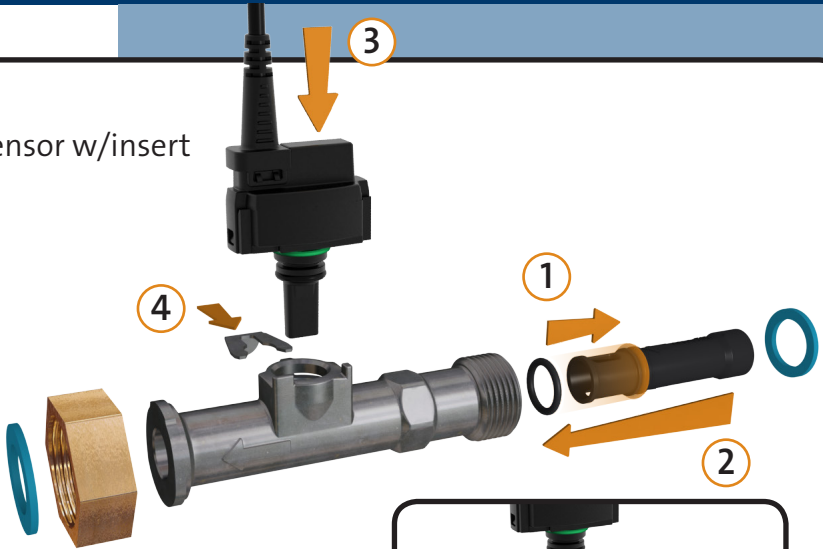


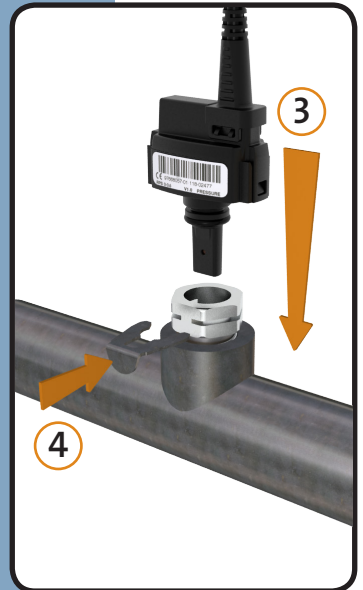
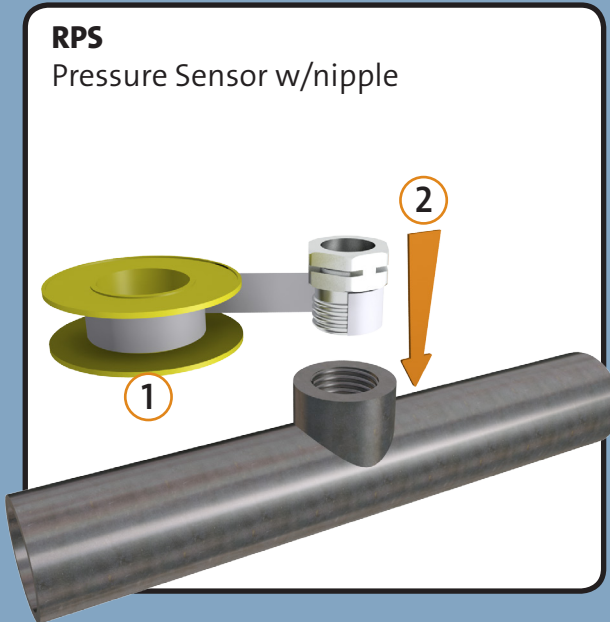
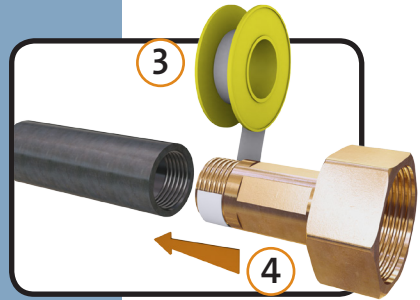
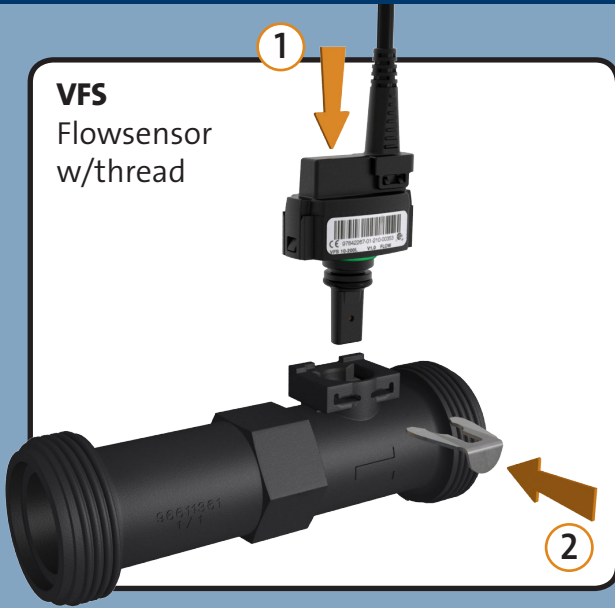
**VFS**

Flowsensor w/clipsystem

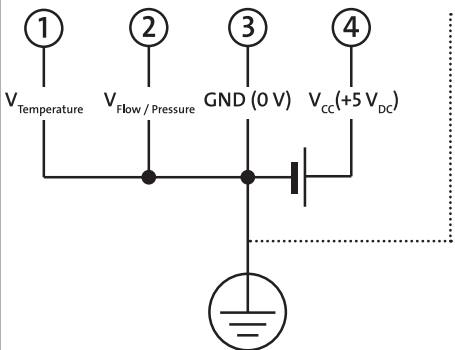


**VFS**  
Flowsensor w/insert





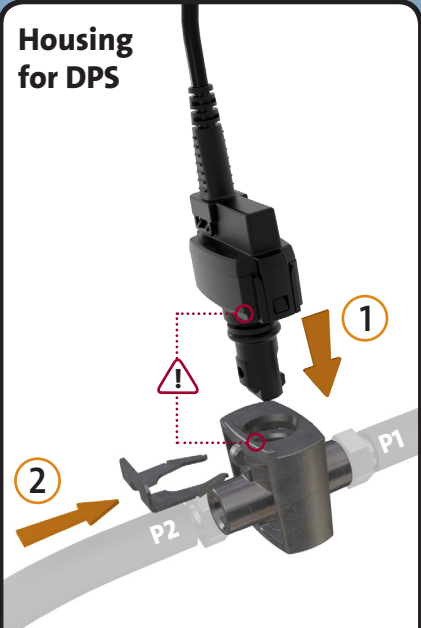
### Electrical connections




#### Pin Configuration

1	Temperature signal	
2	Flow / pressure signal	
3	GND (0V)	
4	Voltage Supply (+ 5 VDC) PELV	

### Housing for DPS



 For safety reasons always apply highest pressure to "P1"

96916000 0513